



SPECIFICATION

MM-121-IP65-1000-L/PT

12.1" IP65 Sunlight Readable PCAP Touch Marine Display

TECHNICAL DATASHEET

MM-121-IP65-1000-L/PT

12.1" IP65 Sunlight Readable PCAP Touch Marine Display



MM-121-IP65-1000-L/PT, the high-performance, rugged touch monitor, is specially engineered to survive from the most demanding working environment. Housed in a milled billet aluminium case, the slim profile makes it light in weight and watertight. The front-mounted sunlight readable touch screen makes the industrial rugged monitor vividly and user-friendly. In addition, the high-power efficiency and low heat design guarantee the stability and longevity required for mission critical deployment.

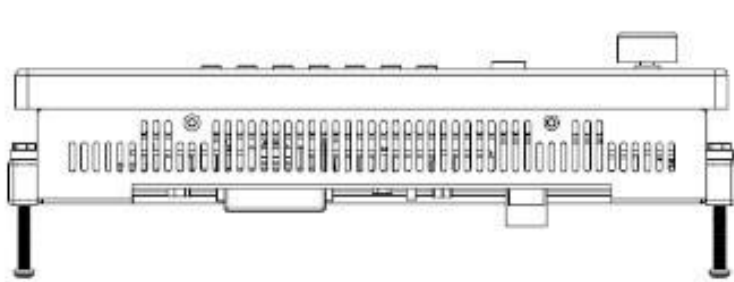
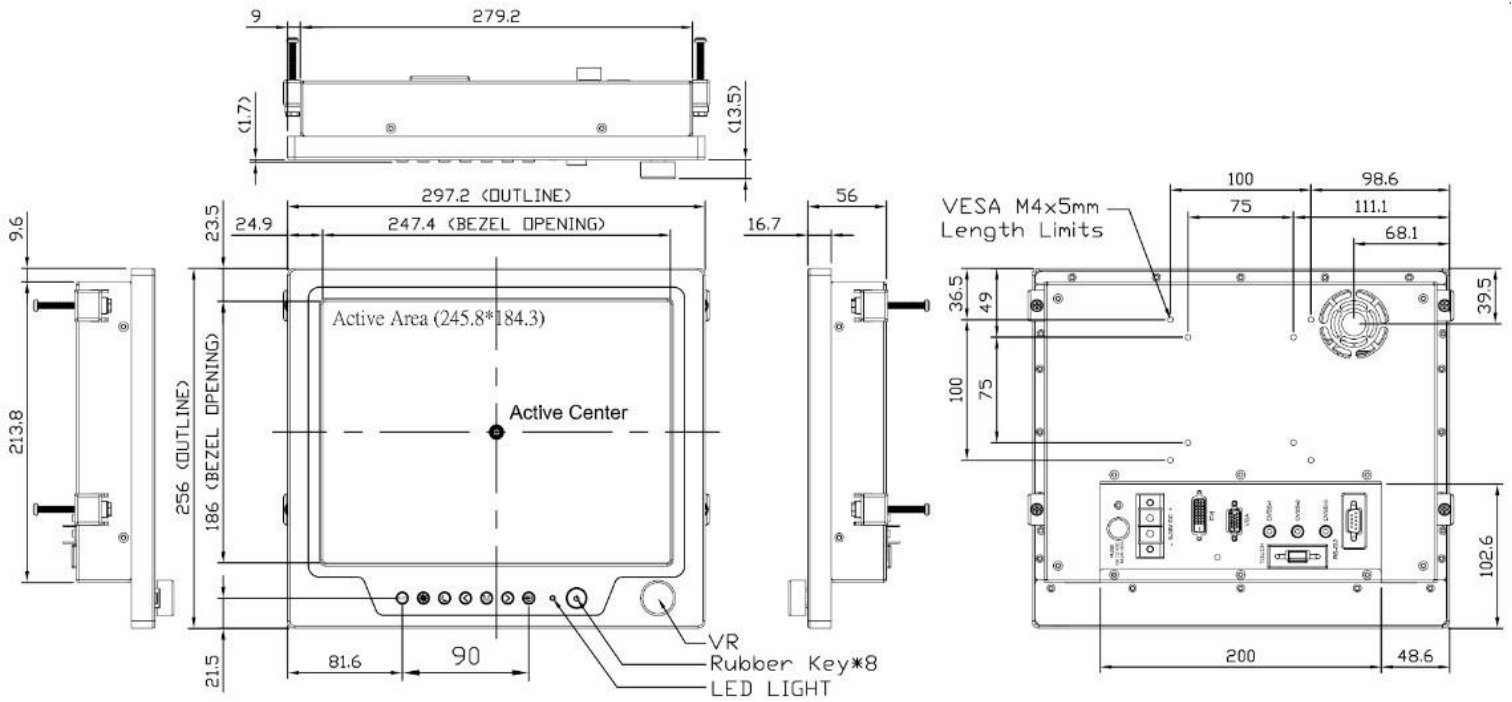
FEATURES

- 12.1" sunlight readable, high brightness (1,000 nits) LCD
- Advanced Optical Bonding (AOT)
- High shock & vibration resistance
- Resistive touch support
- IP65 waterproof (front)
- BV Rule IACES-E10 certified; IEC 60945 compliant
- 1000 nits Sunlight Readable LCD
- Long Life, Low Power Consumption LED Backlight
- Wide Operating Temperature
- 9-36V DC Input

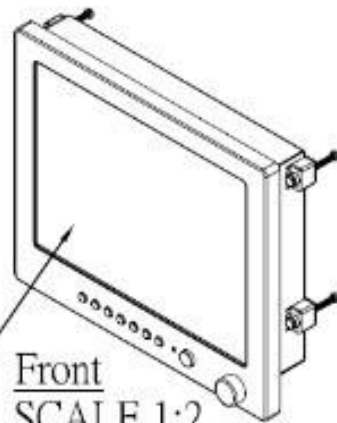
TECHNICAL SPECIFICATION

Model		MM-121-IP65-1000-L/PT
LCD	LCD Size	12.1"
	Display Resolution	1024x768
	Display Area	245.76(H) x 184.32(V)
	Aspect Ratio	4:3
	Brightness	1,000 cd/m2
	Contrast	700 :1
	Colour	262k
	Response Time	23ms
	Pixel Pitch (mm)	0.24 (H) x 0.24 (V)
	Pixel Per Inch (PPI)	105
	Viewing Angle	140° (H), 140° (V)
	Video Interface	VGAX1, DVIX1, Compositex3, RS232x1, USBx1
	Input Power	DC input 9~36V
	Power Consumption	24W
	OSD Key	4 keys (Power switch, menu, +, -)
	OSD Control	Brightness, colour, contrast, H/V position... etc
Performance	Working Temperature	-20°C~60°C (-4°F~140°F)
	Storage Temperature	-20°C~70°C (-4°F~158°F)
	IP rating	IP65 waterproof (facial) with console mounted
	Construction	Rugged aluminium alloy chassis
	Optional	Glass / Resistive Touch
	Marine Type Approval	IEC 60945 BV marine and IACS-E10 approval
Dimensions	Net Size	297.2 x 256 x 56 mm
	Weight (Net)	2.5KG
	Mounting	Panel (Flush) mount, VESA mount
	Product Approval	CE, FCC

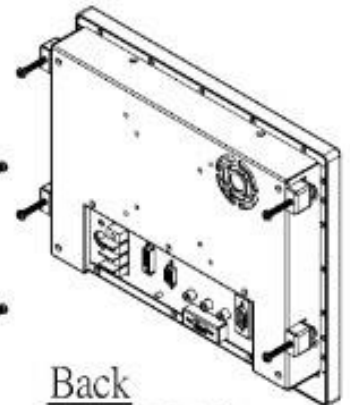
TECHNICAL DRAWING:



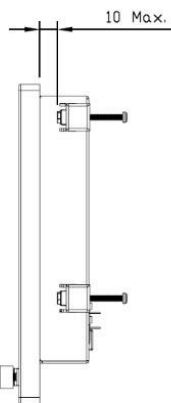
WaterProof IP65



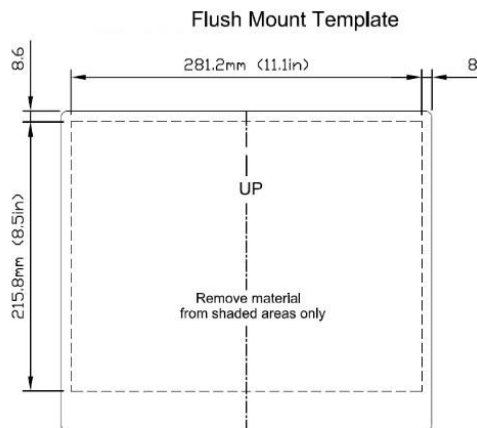
Front
SCALE 1:2



Back
SCALE 1:2



Side View



Back View

Need any additional information?

If you need any assistance with pricing information, technical support or require any additional information our team would be more than happy to assist.



CONTACT US:

Crystal Display Systems Ltd
Unit 6 M2M Park, Fort Bridgewood,
Maidstone Road, Rochester, Kent
ME1 3DQ
United Kingdom

T: +44 (0) 1634 791600
E: info@crystal-display.com
W: www.crystal-display.com

SPECIALISTS IN INNOVATIVE LCD DISPLAY SOLUTIONS

*E & OE. Specifications may be subject to change without prior notice

More information can be found at:

www.crystal-display.com